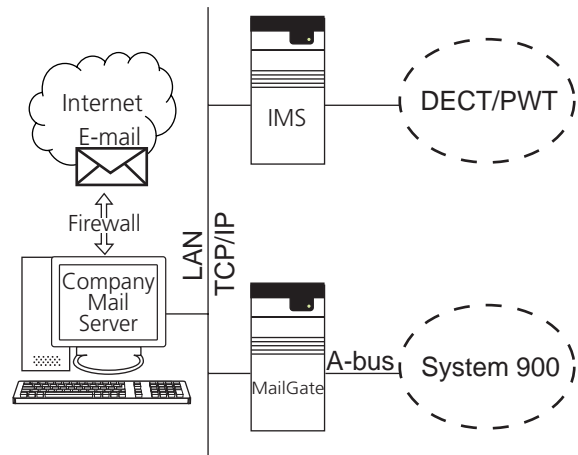


## MailGate

### Features

- Transfers e-mails to pocket units
- Possibility to reply on e-mails from pocket units
- Easy installation and configuration
- Use as stand-alone mail server or together with other mail server
- Configure which parts of the e-mail to transfer
- Configure max. length of transmitted e-mail
- Possibility to write introductory text
- Possibility to limit call number range
- Individual beep-code and priority
- Possibility to request for and receive user response data as an e-mail reply
- TCP/IP based communication
- Pre-installed software
- Possibility to integrate with other SMTP based system or application



### Technical Specifications

*MailGate requires the ELISE2 hardware.*

#### Physical

Dimensions (l x w x h):	275 x 130 x 60 mm
Weight:	550 g
Material:	PC/ABS
Colour:	Light grey

#### Environmental

Operating temperature:	0°C – +40°C
Storage temperature:	-20°C – +70°C
Relative humidity:	30 – 85% (non condensing)

#### Functional

Supply voltage:	12 V - 24 V/DC ±10%
Current consumption:	max 0.4 A at 12 V max 0.2 A at 24 V

#### Memory

RAM:	32/64 MB
Compact FLASH:	32 MB

#### Endurance

Enclosure protection:	IP30, EN 60529
-----------------------	----------------

**System 900**

A/B-bus data interface: RS485 (Screw terminals or Modular jacks, RJ45)  
 Max. No. of A-bus modules<sup>1</sup>: 15

**LAN**

Data Interface: 10baseT or 100baseT Ethernet (Modular jack, RJ45)

**Time**

Time sources: NTP server, System 900 A-bus, or manually from web browser  
 NTP server ability: No  
 Automatic daylight saving adjustment: Yes  
 Date and time format: Adjustable to commonly used formats

**PC Requirements**

Installation and administration: Microsoft Internet Explorer 5.5™ or later

**E-mail Requirements**

Supported e-mail protocol: SMTP  
 Supported e-mail encoding: MIME  
 Max. No. of simultaneous SMTP connections: 3

**Messaging**

Supported special characters: Swedish, Norwegian, Danish, Finnish, and German language  
 Max. message length<sup>2</sup>: 1200 characters

**Licence Options**

MailGate: Transfer of e-mail to pocket units (required)  
 MailGate-LR: Possibility to reply on e-mails from pocket units. Two-way MailGate.  
 MailGate-LO: Possibility to set mail address options (beep-code, priority) in e-mail address

**Standards**

EMC: EN 55022 (class B), EN 61000<sup>3</sup>  
 Low Voltage Directive: EN 60950

<sup>1</sup> MailGate used as communication controller in System 900, i.e. not connected to a Central Unit.

<sup>2</sup> Depending on Pocket Unit and system.

<sup>3</sup> For details, see Declaration of Conformity.

*Specifications are subject to change without notice.*