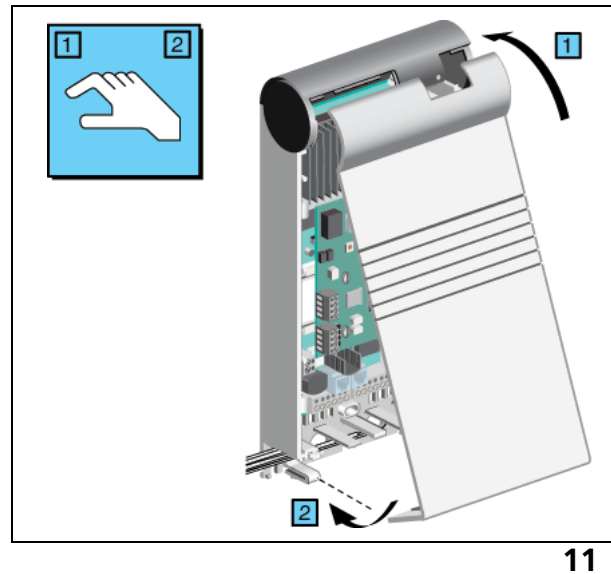
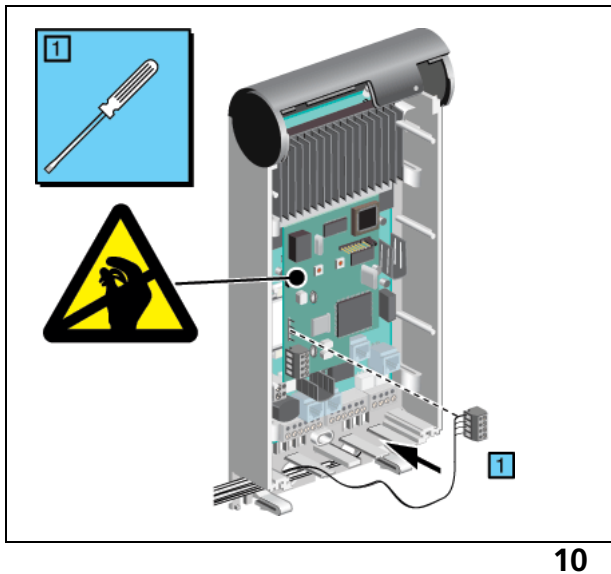
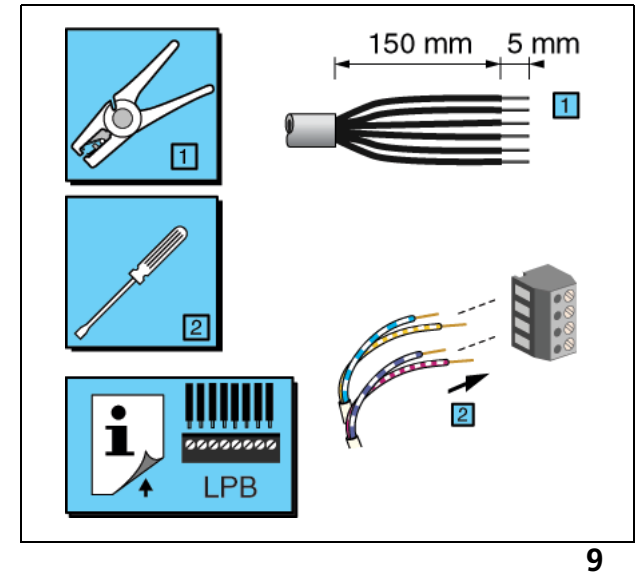
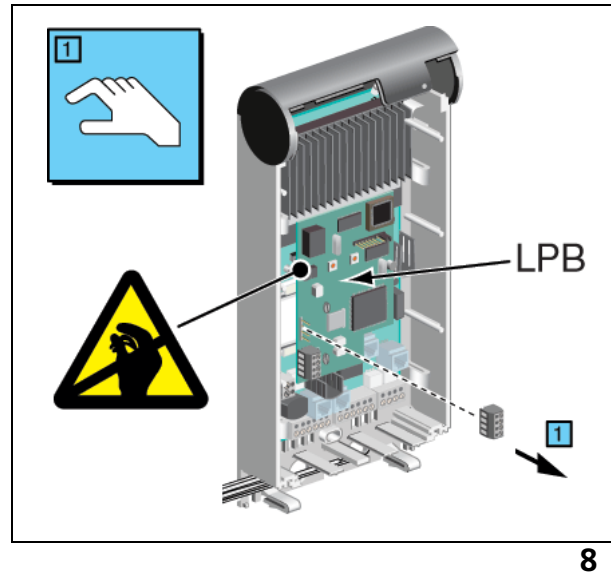
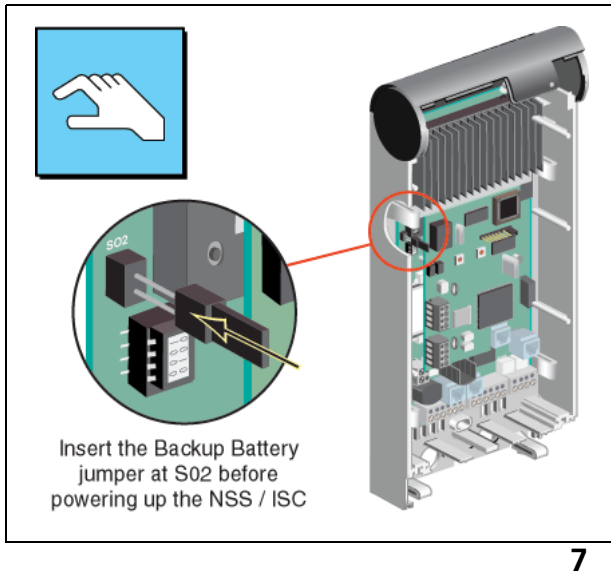
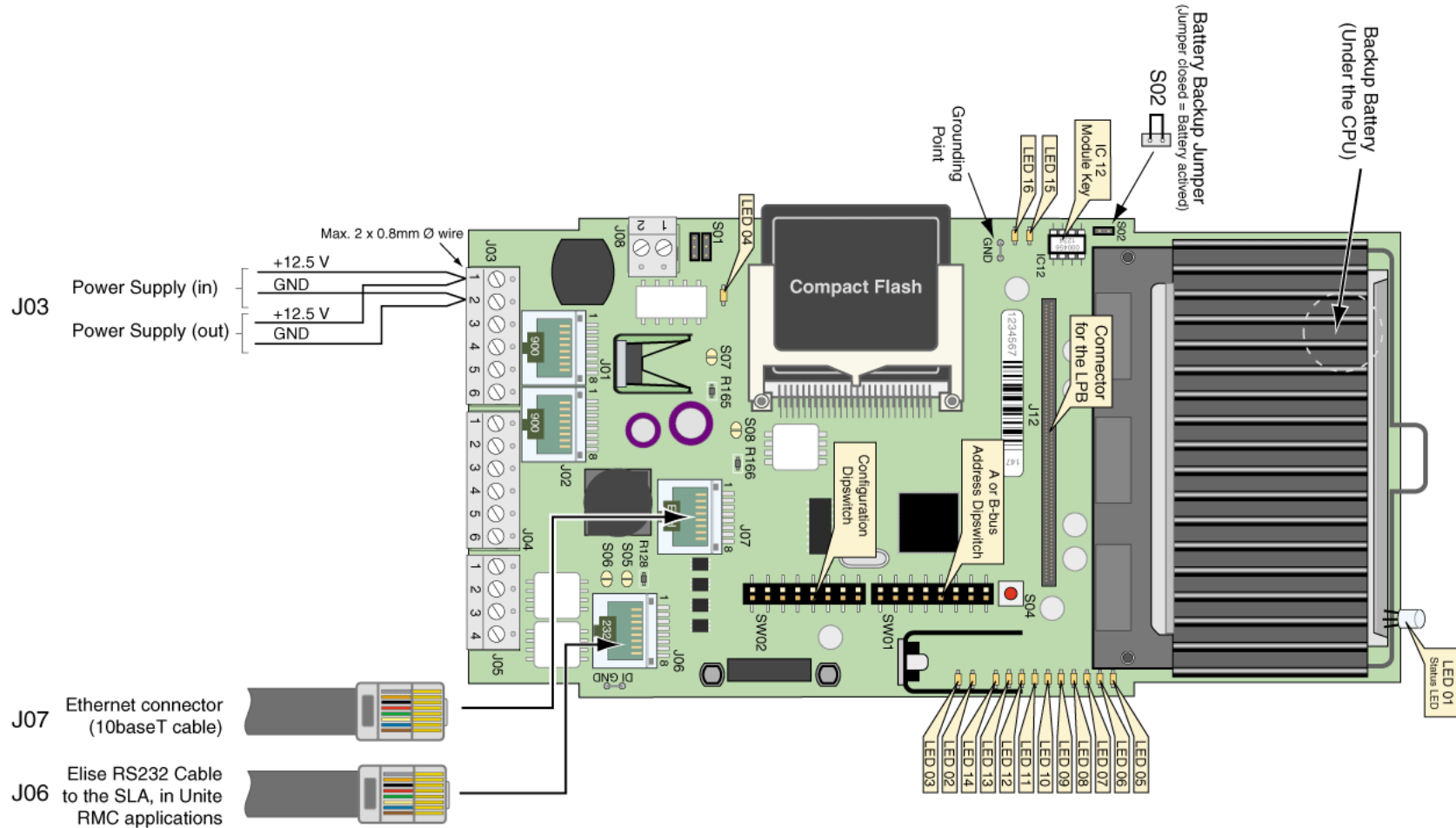


Installation Instructions
teleCARE M

Nurse Station Server (NSS)

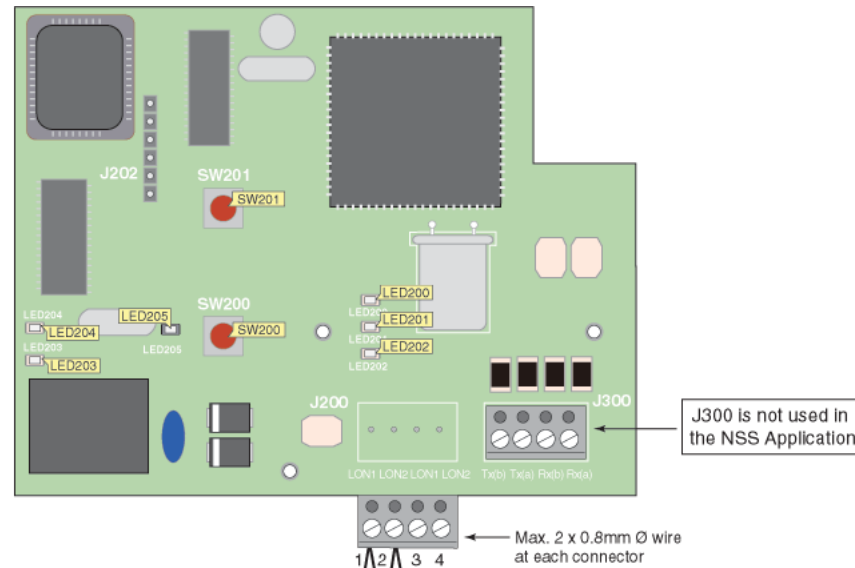




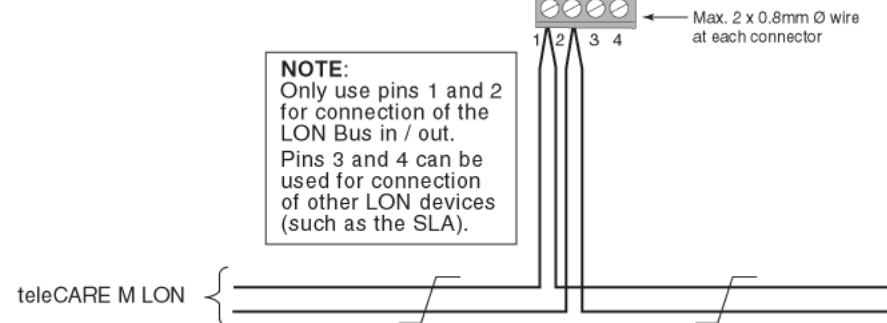
Connecting the LON Piggyback (LPB)

SW200: Service
SW201: Reset

LED200: Rx Data transfer
LED201: Tx Data transfer
LED202: Status 2 (see sequence table on the following page)
LED203: LON Rx
LED204: LON Tx
LED205: Status 1 (see sequence table on the following page)



NOTE:
Only use pins 1 and 2 for connection of the LON Bus in / out.
Pins 3 and 4 can be used for connection of other LON devices (such as the SLA).

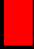







LED Number	Indication	Explanation
LED 01	Red (on)	Function indicator, tri-colour (see the LED 01 Sequence Table)
LED 02	Red (on)	Ethernet contact
LED 03	Red (on)	Ethernet communication
LED 04	Red (on)	Error relay active
LED 05	Red (on)	NSS / ISC application up and running
LED 05	Red (off)	Problems starting the application. Check the log files on the NSS / ISC web pages
LED 06	Not used	
LED 07	Not used	
LED 08	Red (on)	Message waiting in the queue
LED 08	Red (off)	No messages in the queue
LED 09	Red (on)	RS 232C transmitting
LED 10	Red (on)	RS 232C receiving
LED 11	Red (on)	Auxillary in 1 active
LED 12	Red (on)	Auxillary in 2 active
LED 13	Red (on)	Auxillary out 1 active
LED 14	Red (on)	Auxillary out 2 active
LED 15	Not used	
LED 16	Red (on)	Compact Flash being accessed





LED explanation table

Sequence	Colour	LED01 (Function LED) Indication	Status
1	Green		Running: OK
2	Orange		Fail-safe mode*/ Network setup mode
3	Orange		Starting up
4	Orange		Power up / Restart
5	Orange		Halted (automatic restart after 10 min.)
6	Orange		Unlicensed mode
7	Red		Low voltage
8	Red		Lincence error
9	Red		Watchdog reset
10	Red		Shut down
11	Red		Network error (IP interface initiation error) / Module key error
		10 x 100ms 10 x 100ms 10 x 100ms 10 x 100ms 10 x 100ms 10 x 100ms	

Function LED (LED 01) Sequence Table

Sequence	Status LED 1 Indications		Function
Sequence 1		On momentarily	Power up LPB
Sequence 2		Off continuously	Normal operation
Sequence 3			LPB watchdog restart
Sequence 4			LPB unconfigured (Neuron uC)
Sequence 5			LPB applicationless (no Neuron firmware)
	10 x 100ms		

LPB Status 1 (LED 205) sequence table

Sequence	Status 2 LED Indications		Function
Sequence 1			LPB searching for baudrate. No connection with the NSS / ISC main board
Sequence 2			Normal operation. Connection with the NSS / ISC main board (LON protocol running)
	8 x 250ms		

LPB Status 2 (LED 202) sequence table